

BREATHERS

VentGuard®

The ideal solution to protect against moisture and particulate contamination in low-flow applications with intermittent operations



APPLICATIONS

- Gearboxes
- Low-Flow
- High-Humidity
- Washdown



Overview

VentGuard® Breathers: Typical Industries

- Wind Energy
- Pulp & Paper
- Aviation
- Storage
- Manufacturing
- Petrochemical

By the Numbers:

1-Domed Cap

A domed cap allows for better washdown runoff

2-Integrated Nylon Standpipe

The integrated standpipe provides excellent vibration resistance and dissipates impact throughout the unit, eliminating weak points. It also allows even airflow distribution throughout the unit, eliminating inaccurate readings of desiccant saturation.

3-External Ribs

External ribs on shell to create greater durability and grip when installing or replacing breather

4-Integrated Drip Ring

An integrated drip ring keeps shedding water from entering the vent holes

5-Threaded Mounting

Easily replaces standard filler/breather cap with multi-fit connection or one of several adapters.

6-Larger, High-Capacity Check Valves

High-capacity check valves allow for increased airflow at low cracking pressure.

7-Filter Element

Polyester filter element removes airborne contamination to 3-micron absolute. Unique loops allow particles to release during system exhalation, helping to increase breather life.

8-Enhanced Seal

An enhanced seal eliminates potential for airflow bypass

How It Works

This breather unit replaces the standard dust cap or OEM breather cap on equipment. Check-valves on the bottom of the unit isolate the system until equipment needs to breathe. As air is drawn into equipment through the breather, the layered filter elements remove particulate while the desiccant beads strip harmful moisture.

While in service or during shutdown, the desiccant beads attract moisture from inside the equipment reservoir, actively drying the equipment.



Specifications

Materials & Components:

Housing: Polycarbonate, Nylon 6/6 30% Glass Filled, Polypropylene

Seals (DC-VG-BB, DC-VG-1): Buna-N, EPDM, PVC

Seals (DC-VG-2, DC-VG-3, DC-VG-4): Buna-N, PVC

Filter Media: Polyurethane, Polyester

Hydrophilic Media: Silica gel

Filter Efficiency:

(3 μ absolute ($\beta_3 \geq 200$))

Recommended Temperature Range:

-20°F to 200°F

-29°C to 93°C

Chemical Compatibility:

Compatible with all mineral oils, most synthetic oils and diesel (Contact Des-Case technical support for chemical compatibility inquiries)

Certificates and Approvals:

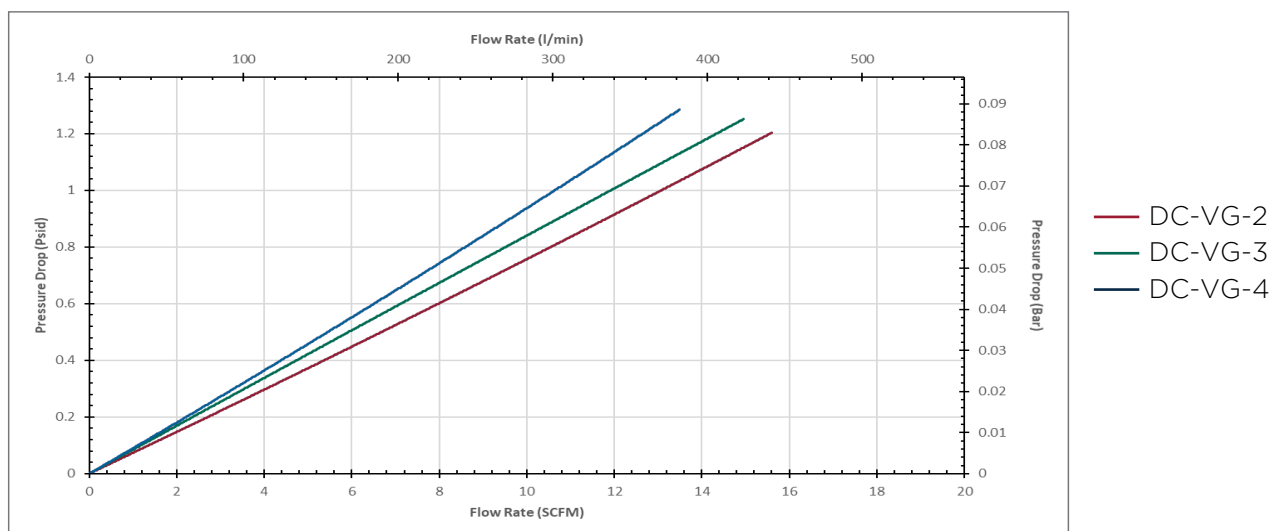
Upon request

	DC-VG-BB	DC-VG-1	DC-VG-2	DC-VG-3	DC-VG-4
Amount of Desiccant:	.1 lbs / .06 kg	.3 lbs / .1 kg	.8 lbs / .4 kg	1.4 lbs / .6 kg	2 lbs / .9 kg
Adsorption Capacity:	.8 fl oz / 23 ml	2 fl oz / 50 ml	5 fl oz / 144 ml	9 fl oz / 253 ml	12 fl oz / 359 ml
Air Flow Rate:	1 cfm @ 1 Psid	1 cfm @ 1 Psid	12 cfm @ 1 Psid	11 cfm @ 1 Psid	10 cfm @ 1 Psid
Flow Rate:	11 gpm / 41 lpm	11 gpm / 41 lpm	90 gpm / 340 lpm	82 gpm / 311 lpm	75 gpm / 283 lpm

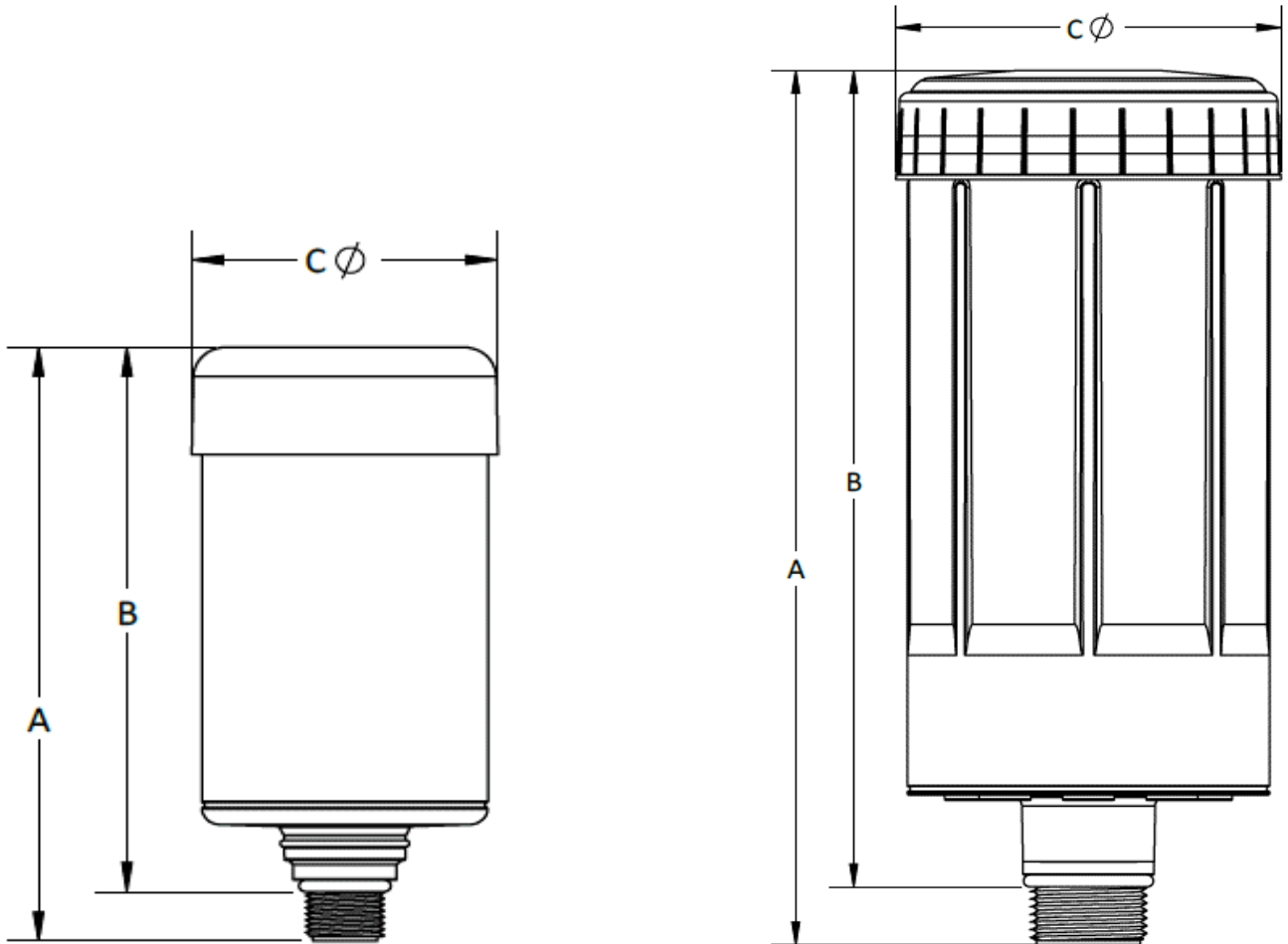
Sizing / Flow Rate

Model	Suction / Return Rate (gpm / lpm)	Gearbox / Storage Tank Reservoir Size (Gallons / Liters)	Hydraulic Reservoir Size (Gallons / Liters)
DC-VG-BB	11 / 41	15 / 57	2 / 8
DC-VG-1	11 / 41	35 / 132	5 / 19
DC-VG-2	90 / 340	200 / 757	60 / 227
DC-VG-3	82 / 311	350 / 1325	100 / 379
DC-VG-4	75 / 283	500 / 1893	200 / 757

Please Note: This is intended as a general guideline for sizing only; other considerations, such as: humidity level, frequency of air flow, ambient temperatures, and chemical compatibility are very important in sizing a breather properly. Larger applications and special circumstances typically require the most thorough analysis. Please contact Des-Case for assistance in sizing a breather.



Specifications



Dimension Table					
	Style	A	B	C	Thread Size
Part Code	Miniature or Standard	inch / mm	inch / mm	inch / mm	
DC-VG-BB	Miniature	3.87 / 98	3.43 / 87	2.52 / 64	3/8" Multi-Fit Male Thread with O-Ring Seal, Compatible with: 3/8" NPT; 3/8" BSPT; 3/8" BSPP
DC-VG-1	Miniature	5.36 / 136	4.92 / 125	2.52 / 64	
DC-VG-2	Standard	6.00 / 152	5.33 / 135	4.10 / 104	
DC-VG-3	Standard	8.00 / 203	7.33 / 186	4.10 / 104	1" Multi-Fit Male Thread with O-Ring Seal, Compatible with: 1" NPT; 1" NPSM; 1" BSPT; 1" BSPP
DC-VG-4	Standard	10.00 / 254	9.33 / 237	4.10 / 104	